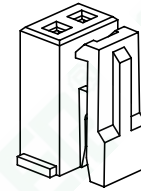
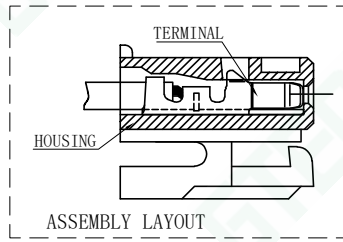
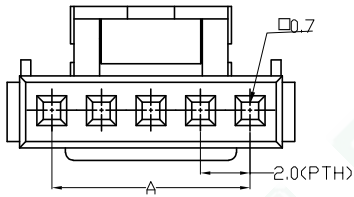


包装示意图(端子V型口向外顺时针绕盘)

- Main Specifications
- . 额定电流 (Current rating): 3.0A AC, DC
  - . 额定电压 (Voltage rating): 250V AC, DC
  - . 温度范围 (Temperature range): -25°C TO + 85°C
  - . 接触电阻 (Contact resistance): ≤30MΩ
  - . 绝缘电阻 (Insulation resistance): ≥1000MΩ
  - . 耐电压 (Withstand voltage): 1000V AC/minute

规格表	Part No	Wire Range	Insulation O.D	Material	Finish	Qty/reel	Features(Used in)	Remark
	A2003TF-PTS	AWG#30~#24	1.45 (MAX)	Phosphor Bronze	Tin-plated	15,000	GJ-A2003 SOCKET HOUSIN SERIES	

<b>GTER®</b> 东莞市高嘉精密电子有限公司 DONGGUAN GJ PRECISION ELECTRONICS Co.Ltd. PART NO: GJ-A2003TF-PTS 2.00mm WIRE TO BOARD CONNECTOR, SOCKET TERMINAL	APPROVED BY: APPROVED	PROJ:	TOLERANCE	LTR	REVISION RECORD		NAME	DATE
	CHECKED BY: CHECKED	UNIT: mm	-1 ±0.10	标记1	修改内容1	姓名1	日期1	
	DRAWN BY: yiliangdong	SCALE: --	1-5 ±0.15	标记2	修改内容2	姓名2	日期2	
	DATE: 2023-03-28	SHEET: 1/1 A4	5-15 ±0.20	标记3	修改内容3	姓名3	日期3	
	DATE: 2023-03-28	SHEET: 1/1 A4	15-30 ±0.25	标记4	修改内容4	姓名4	日期4	
	A2003端子 产品图	VER NO: AO	30- ±0.30	CUSTOMER: ---		Conforms to The RoHS&REACH Instruction		
			(ANGLE) .X ±10°					



■ Main Specifications

- 接触电阻 (Contact resistance):  $\leq 30m\Omega$
- 绝缘电阻 (Insulation resistance):  $\geq 1000M\Omega$
- 额定电压 (Rated voltage): 250V AC DC
- 额定电流 (Rated current): 3.0A AC DC
- 耐电压 (Withstand Voltage): 100V AC/minute
- 温度范围 (Temperature Range):  $-25^{\circ}C \sim +85^{\circ}C$

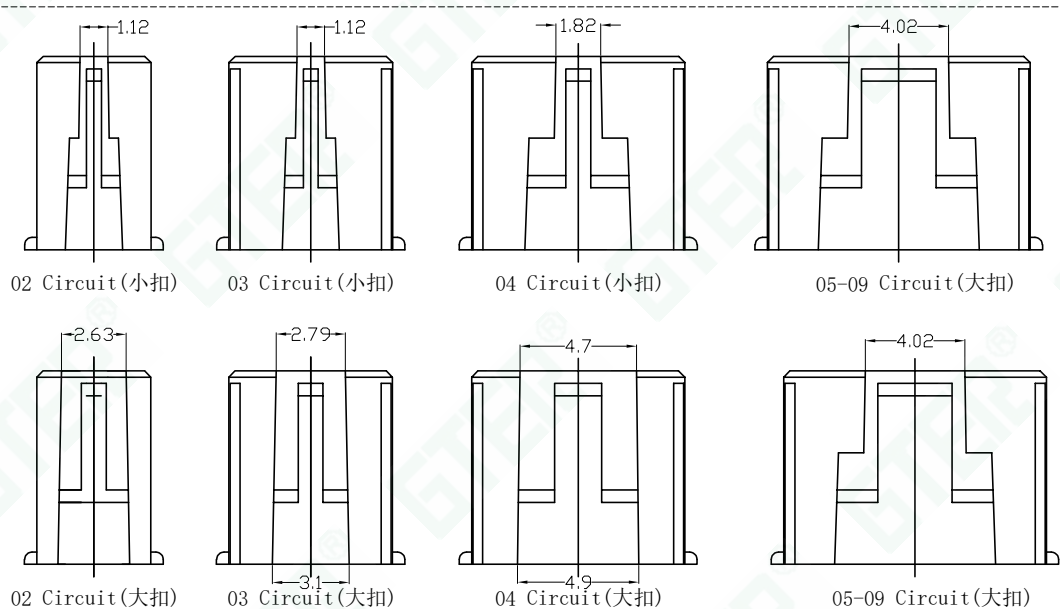
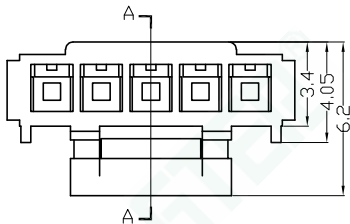
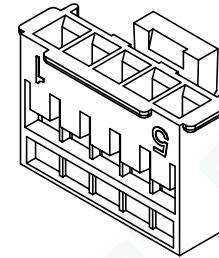
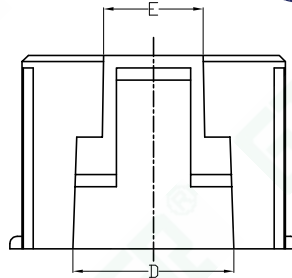
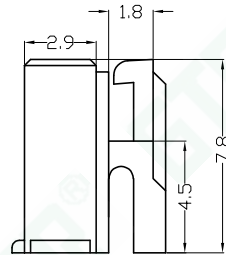
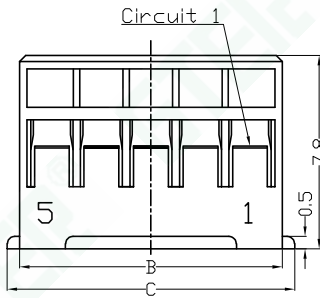
■ 产品编码简介: GJ-A2003HF-\*\*-AON

① ② ③ ④

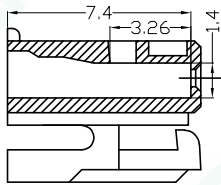
- 系列号;
- 公胶壳;
- Pin位数;
- Nylon66 UL94V-0 (本色)

■ 适配 GJ-A2003 WAFER SERIES.

■ 适配 GJ-A2003 SOCKET TERMINAL.



Poles	Dimensions(mm)				大扣		大扣	
	A	B	C	D	D	E	E	
02	2.00	4.60	5.60	2.30	2.90	1.10	2.63	
03	4.00	6.60	7.60	2.30	3.10	1.10	2.79	
04	6.00	8.60	9.60	4.30	4.90	1.80	4.70	
05	8.00	10.60	11.60	6.50		4.00		
06	10.00	12.60	13.60	6.50	8.00	4.00	6.00	
07	12.00	14.60	15.60	6.50	9.90	4.00	8.00	
08	14.00	16.60	17.60	6.50		4.00		
09	16.00	18.60	19.60	6.50		4.00		
10	18.00	20.60	21.60	14.50		12.00		
11	20.00	22.60	23.60	14.50		12.00		
12	22.00	24.60	25.60	14.50		12.00		
13	24.00	26.60	27.60	14.50		12.00		
14	26.00	28.60	29.60	14.50		12.00		
15	28.00	30.60	31.60	14.50		12.00		
16	30.00	32.60	33.60	14.50		12.00		



**GTER** 东莞市高嘉精密电子有限公司  
DONGGUAN GJ PRECISION ELECTRONICS Co.Ltd.

PART NO: GJ-A2003HF-\*\*-AON

2.00mm WIRE TO BOARD CONNECTOR, SOCKET HOUSING

APPROVED BY: APPROVED

CHECKED BY: CHECKED

DRAWN BY: yiliangdong

DATE: 2023-03-08

A2003胶壳 产品图

PROJ:

UNIT: mm

SCALE: --

SHEET: 1/1 A4

VER NO: AO

TOLERANCE

-1 ±0.10

1-5 ±0.15

5-15 ±0.20

15-30 ±0.25

30- ±0.30

(ANGLE) .X ±10°

LTR

标记1 修改内容1

标记2 修改内容2

标记3 修改内容3

标记4 修改内容4

CUSTOMER: ---

REVISION RECORD

NAME

DATE

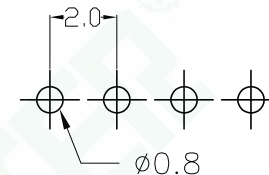
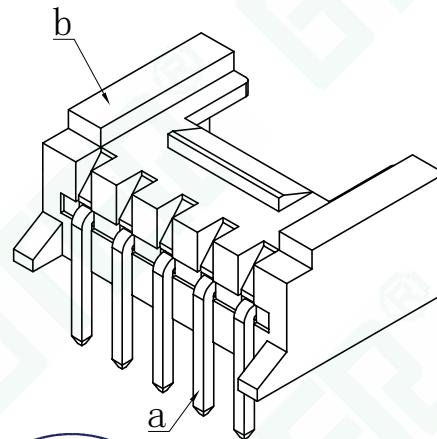
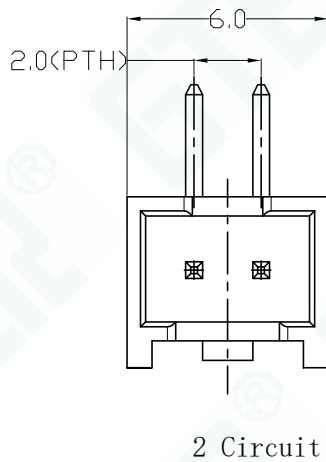
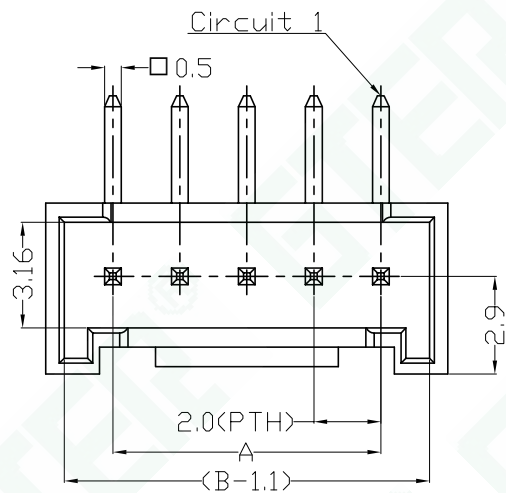
姓名1 日期1

姓名2 日期2

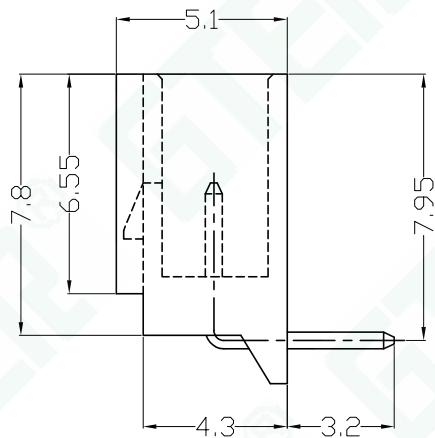
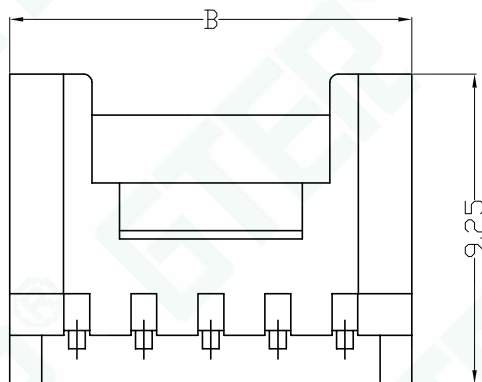
姓名3 日期3

姓名4 日期4

Conforms to The RoHS&REACH Instruction



DIP SIDE ENTRY TYPE PCB LAYOUT



■ Main Specifications

- 接触电阻 (Contact resistance):  $\leq 30\text{m}\Omega$
- 绝缘电阻 (Insulation resistance):  $\geq 1000\text{M}\Omega$
- 额定电压 (Rated voltage): 250V AC DC
- 额定电流 (Rated current): 3.0A AC DC
- 耐电压 (Withstand Voltage): 1000V AC/minute
- 温度范围 (Temperature Range):  $-25^{\circ}\text{C} \sim +85^{\circ}\text{C}$
- 线数 (Poles no): 2 to 16 P

■ 产品编码简介: GJ-A2003WRD-\*\*-AON

1. 系列号; ① ② ③ ④
2. 卧式插板针座;
3. Pin位数;
4. Nylon66 UL94V-0 (本色)

■ 适配 GJ-A2003 SOCKET HOUSING SERIES.

■ 适用基板厚度 1.2MM-1.6MM.

Poles	Dimensions(mm)		Q'ty/ bag
	A	B	
2P	2.00	6.00	1,000
3P	4.00	8.00	1,000
4P	6.00	10.00	1,000
5P	8.00	12.00	1,000
6P	10.00	14.00	1,000
7P	12.00	16.00	1,000
8P	14.00	18.00	1,000
9P	16.00	20.00	1,000
10P	18.00	22.00	1,000
11P	20.00	24.00	1,000
12P	22.00	26.00	1,000
13P	24.00	28.00	1,000
14P	26.00	30.00	1,000
15P	28.00	32.00	1,000
16P	30.00	34.00	1,000

组成序号	名称	材质
a	0.5方pin针	青铜镀高温亮锡
b	胶壳本体	Nylon66 UL94V-0(本色)

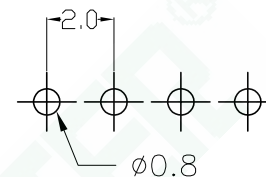
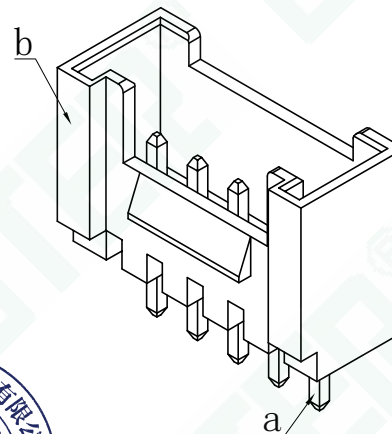
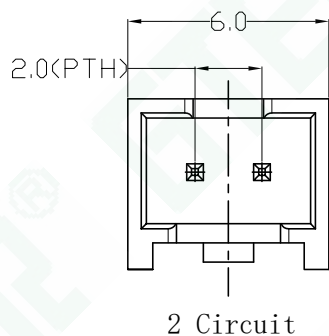
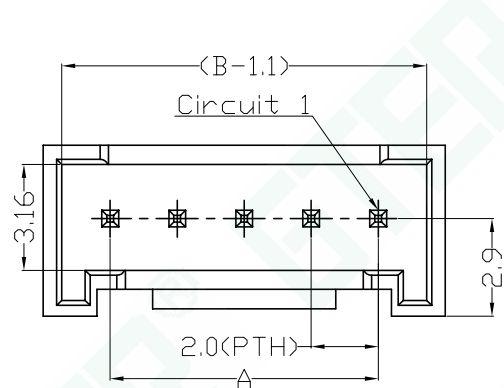
**GTER**® 东莞市高嘉精密电子有限公司  
DONGGUAN GJ PRECISION ELECTRONICS Co.,Ltd.

PART NO: GJ-A2003WRD-\*\*-AON

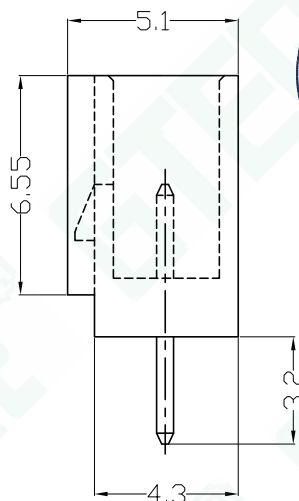
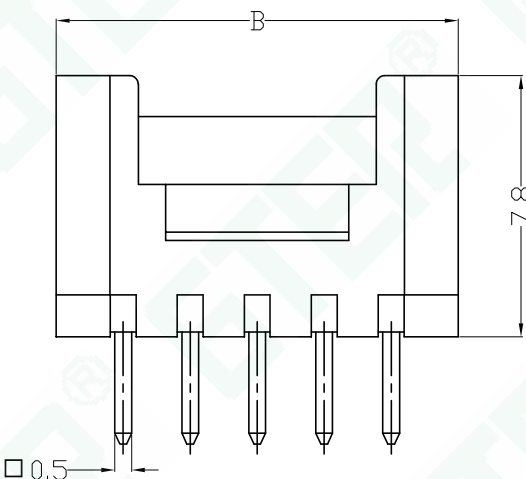
2.00mm WIRE TO BOARD CONNECTOR, WAFER (R-DIP TYPE)

APPROVED BY: APPROVED	PROJ:
CHECKED BY: CHECKED	UNIT: mm
DRAWN BY: yiliangdong	SCALE: --
DATE: 2022-03-26	SHEET: 1/1   A4
A2003卧式插板针座产品图	VER NO: AO

TOLERANCE	LTR	REVISION RECORD	NAME	DATE
-1 ±0.10	标记1	修改内容1	姓名1	日期1
1-5 ±0.15	标记2	修改内容2	姓名2	日期2
5-15 ±0.20	标记3	修改内容3	姓名3	日期3
15-30 ±0.25	标记4	修改内容4	姓名4	日期4
30- ±0.30	CUSTOMER: ---			
(ANGLE) X ±10°	Conforms to The RoHS&REACH Instruction			



DIP TOP ENTRY TYPE PCB LAYOUT



■ Main Specifications

- 接触电阻 (Contact resistance):  $\leq 30m\Omega$
- 绝缘电阻 (Insulation resistance):  $\geq 1000M\Omega$
- 额定电压 (Rated voltage): 250V AC DC
- 额定电流 (Rated current): 3.0A AC DC
- 耐电压 (Withstand Voltage): 1000V AC/minute
- 温度范围 (Temperature Range):  $-25^{\circ}C \sim +85^{\circ}C$
- 线数 (Poles no): 2 to 16 P

■ 产品编码简介: GJ-A2003WVD-\*\*-AON

① ② ③ ④

1. 系列号;
  2. 立式插板针座;
  3. Pin位数;
  4. Nylon66 UL94V-0 (本色)
- 适配 GJ-A2003 SOCKET HOUSING SERIES.  
■ 适用基板厚度 1.2MM-1.6MM.

Poles	Dimensions(mm)		Q'ty/ bag
	A	B	
2P	2.00	6.00	1,000
3P	4.00	8.00	1,000
4P	6.00	10.00	1,000
5P	8.00	12.00	1,000
6P	10.00	14.00	1,000
7P	12.00	16.00	1,000
8P	14.00	18.00	1,000
9P	16.00	20.00	1,000
10P	18.00	22.00	1,000
11P	20.00	24.00	1,000
12P	22.00	26.00	1,000
13P	24.00	28.00	1,000
14P	26.00	30.00	1,000
15P	28.00	32.00	1,000
16P	30.00	34.00	1,000

组成序号	名称	材质
a	0.5方pin针	青铜镀高温亮锡
b	胶壳本体	Nylon66 UL94V-0(本色)

**GTER** 东莞市高嘉精密电子有限公司  
DONGGUAN GJ PRECISION ELECTRONICS Co.,Ltd.

PART NO: GJ-A2003WVD-\*\*-AON

2.00mm WIRE TO BOARD CONNECTOR, WAFER (V-DIP TYPE)

APPROVED BY: APPROVED

CHECKED BY: CHECKED

DRAWN BY: yiliangdong

DATE: 2022-03-26

A2003立式插板针座产品图

PROJ:

UNIT: mm

SCALE: --

SHEET: 1/1 A4

VER NO: AO

TOLERANCE

-1 ±0.10

1-5 ±0.15

5-15 ±0.20

15-30 ±0.25

30- ±0.30

(ANGLE) X ±10°

LTR

标记1

标记2

标记3

标记4

CUSTOMER: ---

REVISION RECORD

修改内容1

修改内容2

修改内容3

修改内容4

NAME

姓名1

姓名2

姓名3

姓名4

DATE

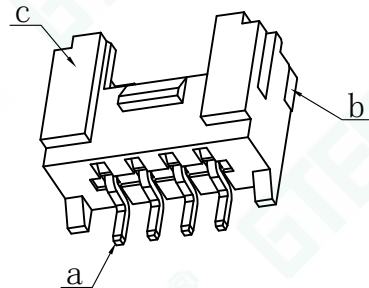
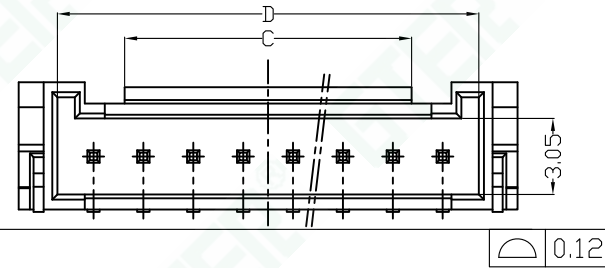
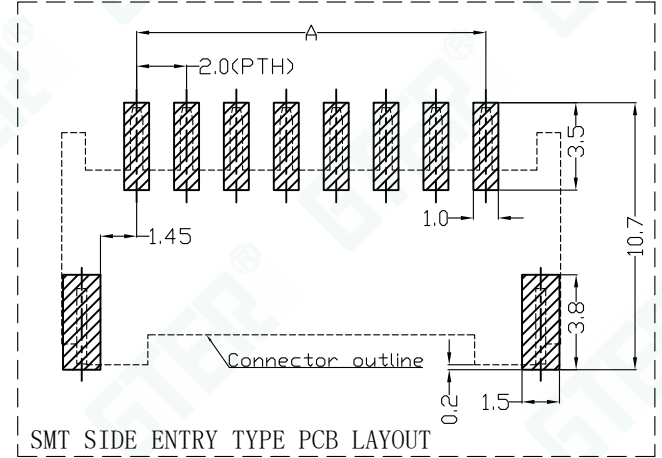
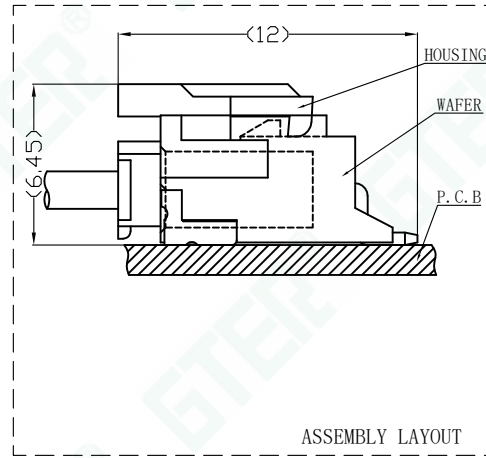
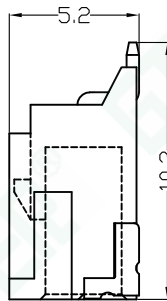
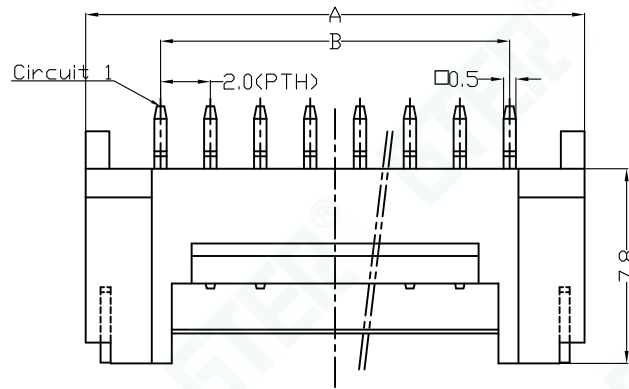
日期1

日期2

日期3

日期4

Conforms to The RoHS&REACH Instruction



■ Main Specifications

- 接触电阻 (Contact resistance):  $\leq 30m\Omega$
- 绝缘电阻 (Insulation resistance):  $\geq 1000M\Omega$
- 额定电压 (Rated voltage): 250V AC DC
- 额定电流 (Rated current): 3.0A AC DC
- 耐电压 (Withstand Voltage): 800V AC/minute
- 温度范围 (Temperature Range):  $-25^{\circ}C \sim +85^{\circ}C$
- 线数 (Poles no): 2 to 16 P

■ 产品编码简介: GJ-A2003WRS-\*\*-FON

1. 系列号;
2. 卧式贴板针座;
3. Pin位数;
4. LCP UL94V-0 (本色)

- 适配 GJ-A2003 SOCKET HOUSING SERIES.
- 适用基板厚度 1.2MM-1.6MM.

Poles	Dimensions(mm)			
	A	B	C	D
02P	8.00	2.00	2.70	4.90
03P	10.00	4.00	2.70	6.90
04P	12.00	6.00	5.00	8.90
05P	14.00	8.00	7.00	10.90
06P	16.00	10.00	7.50	12.90
07P	18.00	12.00	9.50	14.90
08P	20.00	14.00	11.50	16.90
09P	22.00	16.00	13.50	18.90
10P	24.00	18.00	15.50	20.90
11P	26.00	20.00	15.50	22.90
12P	28.00	22.00	15.50	24.90
13P	30.00	24.00	15.50	26.90
14P	32.00	26.00	15.50	28.90
15P	34.00	28.00	15.50	30.90
16P	36.00	30.00	15.50	32.90

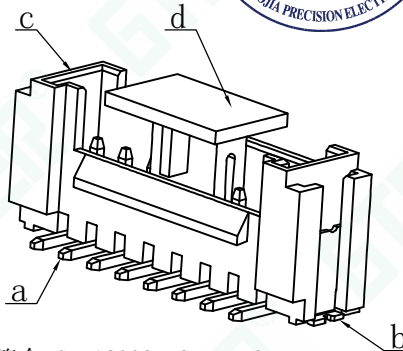
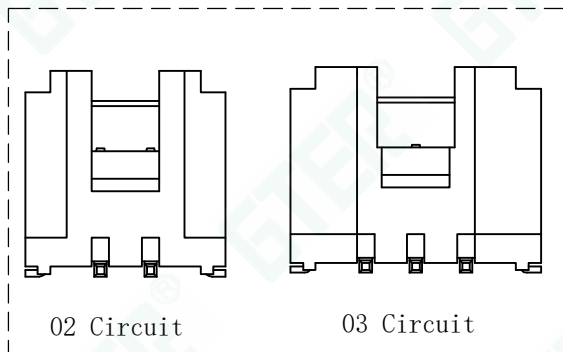
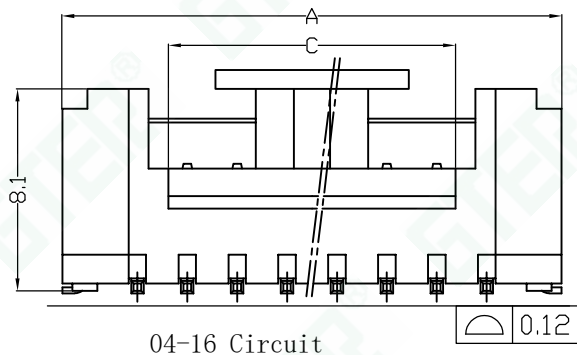
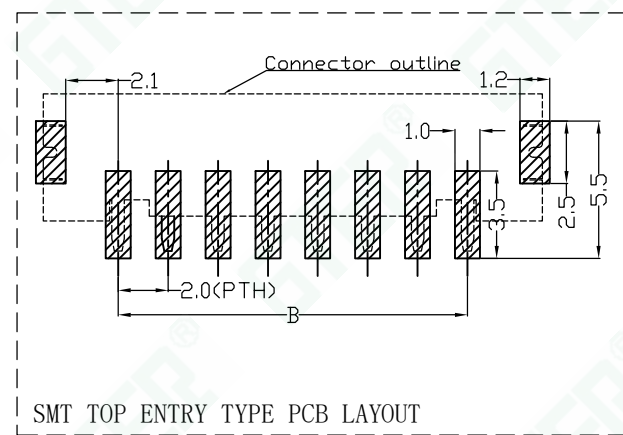
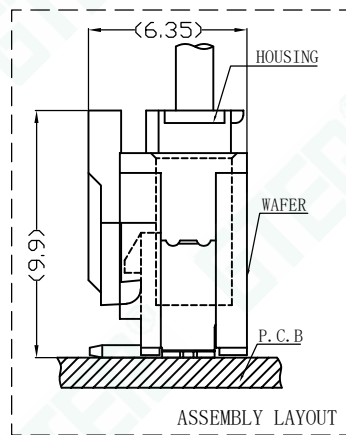
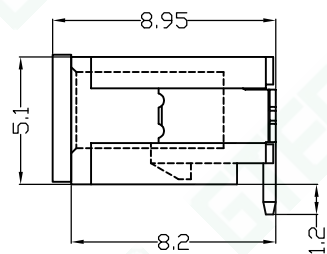
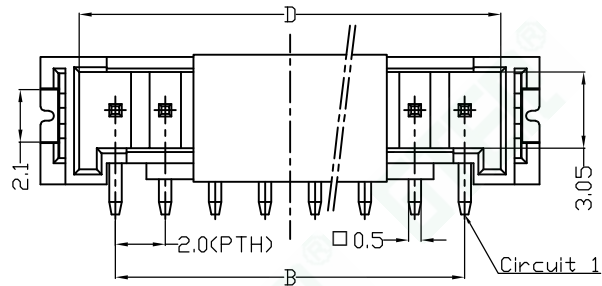
组成序号	名称	材质
a	0.5pin针	青铜镀锡
b	接地片	青铜镀锡
c	胶壳本体	LCP UL94V-0(本色)

**GTER®** 东莞市高嘉精密电子有限公司  
DONGGUAN GJ PRECISION ELECTRONICS Co.Ltd.

PART NO: GJ-A2003WRS-\*\*-FON

2.00mm WIRE TO BOARD CONNECTOR, WAFER (R-SMT TYPE)

APPROVED BY: APPROVED	PROJ:	TOLERANCE	LTR	REVISION RECORD	NAME	DATE
CHECKED BY: CHECKED	UNIT: mm	-1 ±0.10	标记1	修改内容1	姓名1	日期1
DRAWN BY: yiliangdong	SCALE: --	1-5 ±0.15	标记2	修改内容2	姓名2	日期2
DATE: 2025-08-08	SHEET: 1/1 A4	5-15 ±0.20	标记3	修改内容3	姓名3	日期3
A2003卧式贴板针座产品图	VER NO: AO	15-30 ±0.25	标记4	修改内容4	姓名4	日期4
		30- ±0.30	CUSTOMER: ---		Conforms to The RoHS&REACH Instruction	
		(ANGLE) .X ±10°				



Poles	Dimensions(mm)			
	A	B	C	D
02P	8.00	2.00	2.70	4.90
03P	10.00	4.00	2.70	6.90
04P	12.00	6.00	3.50	8.90
05P	14.00	8.00	5.50	10.90
06P	16.00	10.00	7.50	12.90
07P	18.00	12.00	9.50	14.90
08P	20.00	14.00	11.50	16.90
09P	22.00	16.00	13.50	18.90
10P	24.00	18.00	15.50	20.90
11P	26.00	20.00	15.50	22.90
12P	28.00	22.00	15.50	24.90
13P	30.00	24.00	15.50	26.90
14P	32.00	26.00	15.50	28.90
15P	34.00	28.00	15.50	30.90
16P	36.00	30.00	15.50	32.90

■ Main Specifications

- . 接触电阻 (Contact resistance):  $\leq 30m\Omega$
- . 绝缘电阻 (Insulation resistance):  $\geq 1000M\Omega$
- . 额定电压 (Rated voltage): 250V AC DC
- . 额定电流 (Rated current): 3.0A AC DC
- . 耐电压 (Withstand Voltage): 1000V AC/minute
- . 温度范围 (Temperature Range):  $-25^{\circ}C \sim +85^{\circ}C$
- . 线数 (Poles no): 2 to 16 P

■ 产品编码简介: GJ-A2003WVS-\*\*-FON

- ① ② ③ ④

1. 系列号;
  2. 立式贴板针座;
  3. Pin位数;
  4. LCP UL94V-0 (本色)
- 适配 GJ-A2003 SOCKET HOUSING SERIES.  
■ 适用基板厚度 1.2MM-1.6MM.

组成序号	名称	材质
a	0.5pin针	青铜镀锡
b	接地片	青铜镀锡
c	胶壳本体	LCP UL94V-0(本色)
d	吸盖	LCP UL94V-0(本色)

**GTER**® 东莞市高嘉精密电子有限公司  
DONGGUAN GJ PRECISION ELECTRONICS Co.Ltd.

PART NO: GJ-A2003WVS-\*\*-FON

2.00mm WIRE TO BOARD CONNECTOR, WAFER (V-SMT TYPE)

APPROVED BY: APPROVED

CHECKED BY: CHECKED

DRAWN BY: yiliangdong

DATE: 2025-08-08

A2003立式贴板针座产品图

PROJ:

UNIT: mm

SCALE: --

SHEET: 1/1 A4

VER NO: AO

TOLERANCE

-1 ±0.10

1-5 ±0.15

5-15 ±0.20

15-30 ±0.25

30- ±0.30

(ANGLE) .X ±10°

LTR

标记1

标记2

标记3

标记4

CUSTOMER: ---

REVISION RECORD

修改内容1

修改内容2

修改内容3

修改内容4

NAME

姓名1

姓名2

姓名3

姓名4

DATE

日期1

日期2

日期3

日期4

Conforms to The RoHS&REACH Instruction