

包装示意图(端子V型口向外顺时针绕盘)

■ Main Specifications

- 额定电流 (Current rating): 2.0A AC, DC
- 额定电压 (Voltage rating): 100V AC, DC
- 温度范围 (Temperature range): -25°C TO + 105°C
- 接触电阻 (Contact resistance): $\leq 20m\Omega$
- 绝缘电阻 (Insulation resistance): $\geq 1000M\Omega$
- 耐电压 (Withstand voltage): 800V AC/minute

■ 产品编码简介: GJ-C2001TM-PTS

1. 系列号; ① ② ③
2. 公端子;
3. 磷铜先冲后镀锡;

■ 包装:

- ① 纸盘包装, 每盘15,000PCS.
- ② 纸箱尺寸 L51.5-W51.5-H41.5(CM), 每箱15卷.
- ③ 包装方向详见“包装示意图”.

规格表	Part No	Wire Range	Insulation O.D	Material	Finish	Qty/reel	Features (Used in)	Remark
	C2001TM-PTS	AWG#28~#24	1.60 (MAX)	Phosphor Bronze	Tin-plated	15,000	GJ-C2001 PLUG HOUSIN SERIES	PH plug terminal

GTER® 东莞市高嘉精密电子有限公司
DONGGUAN GJ PRECISION ELECTRONICS Co.Ltd.

PART NO: GJ-C2001TM-PTS

2.00mm WIRE TO WIRE CONNECTOR, PLUG TERMINAL

APPROVED BY: APPROVED

CHECKED BY: CHECKED

DRAWN BY: yiliangdong

DATE: 2026-01-29

C2001端子 产品图

PROJ:

UNIT: mm

SCALE: --

SHEET: 1/1 A4

VER NO: AO

TOLERANCE

-1 ±0.10

1-5 ±0.15

5-15 ±0.20

15-30 ±0.25

30- ±0.30

(ANGLE) .X ±10°

LTR

标记1

标记2

标记3

标记4

CUSTOMER: ---

REVISION RECORD

修改内容1

修改内容2

修改内容3

修改内容4

NAME

姓名1

姓名2

姓名3

姓名4

DATE

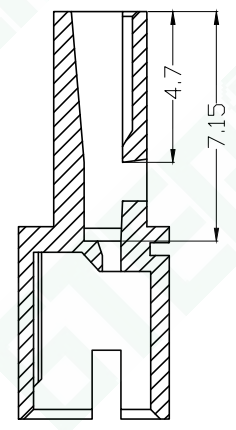
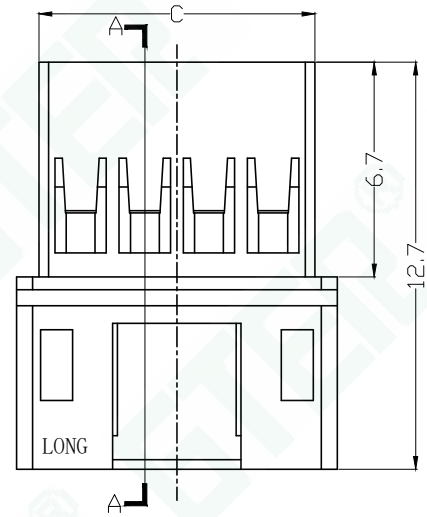
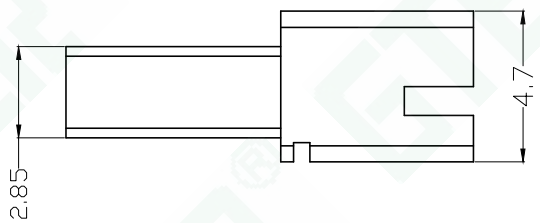
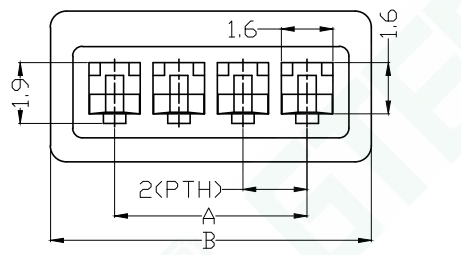
日期1

日期2

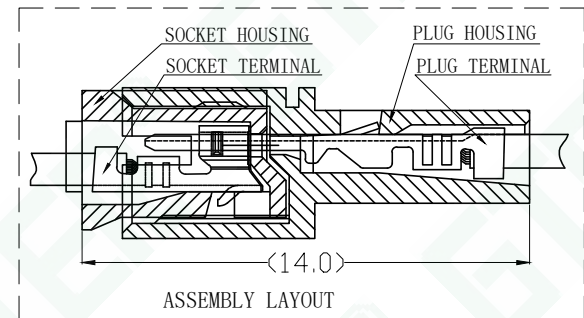
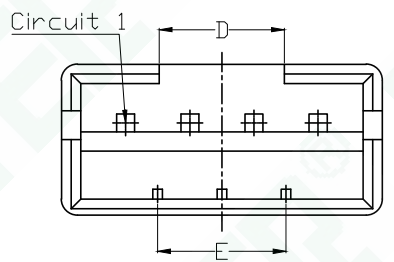
日期3

日期4

Conforms to The RoHS&REACH Instruction



SECTION A-A



■ Main Specifications

- 接触电阻 (Contact resistance): $\leq 20m\Omega$
- 绝缘电阻 (Insulation resistance): $\geq 1000M\Omega$
- 额定电压 (Rated voltage): 250V AC DC
- 额定电流 (Rated current): 2.0A AC DC
- 耐电压 (Withstand Voltage): 800V AC/minute
- 温度范围 (Temperature Range): $-25^{\circ}C \sim +85^{\circ}C$

■ 产品编码简介: GJ-C2001HM-**-AON

① ② ③ ④

1. 系列号;
2. 母胶壳;
3. Pin位数;
4. Nylon66 UL94V-0 (本色)

■ 适配 GJ-A2001 SOCKET HOUSING SERIES.

■ 适配 GJ-C2001 PLUG TERMINAL.

Poles	Dimensions(mm)					Q'ty/ bag
	A	B	C	D	E	
2P	2.00	6.00	4.60	0.80	0.00	1,000
3P	4.00	8.00	6.60	2.10	2.00	1,000
4P	6.00	10.00	8.60	3.90	4.00	1,000
5P	8.00	12.00	10.60	5.90	6.00	1,000
6P	10.00	14.00	12.60	7.90	8.00	1,000
7P	12.00	16.00	14.60	9.90	10.00	1,000
8P	14.00	18.00	16.60	11.90	12.00	1,000
9P	16.00	20.00	18.60	13.90	14.00	1,000
10P	18.00	22.00	20.60	15.90	16.00	1,000
11P	20.00	24.00	22.60	17.90	18.00	1,000
12P	22.00	26.00	24.60	19.90	20.00	1,000

GTER® 东莞市高嘉精密电子有限公司
DONGGUAN GJ PRECISION ELECTRONICS Co.Ltd.

PART NO: GJ-C2001HM-**-AON

2.00mm WIRE TO WIRE CONNECTOR, PLUG HOUSING

APPROVED BY: APPROVED
CHECKED BY: CHECKED
DRAWN BY: yiliangdong
DATE: 2021-11-25

PROJ:
UNIT: mm
SCALE: --
SHEET: 1/1 A4

TOLERANCE
-1 ±0.10
1-5 ±0.15
5-15 ±0.20
15-30 ±0.25
30- ±0.30
(ANGLE) .X ±10°

LTR
标记1 修改内容1
标记2 修改内容2
标记3 修改内容3
标记4 修改内容4

REVISION RECORD
姓名1 日期1
姓名2 日期2
姓名3 日期3
姓名4 日期4

NAME DATE

C2001胶壳 产品图

VER NO: AO

CUSTOMER: ---

Conforms to The RoHS&REACH Instruction